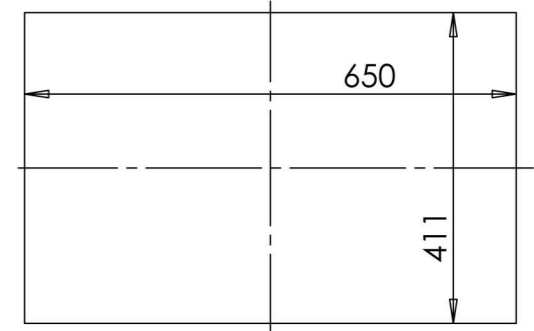
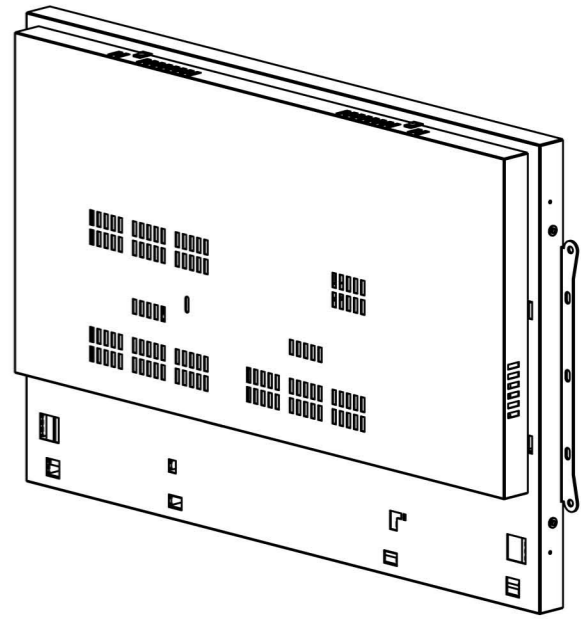
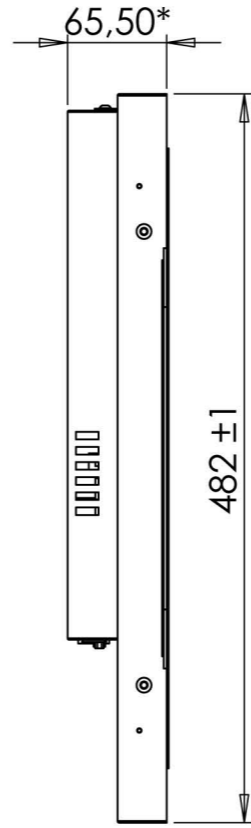
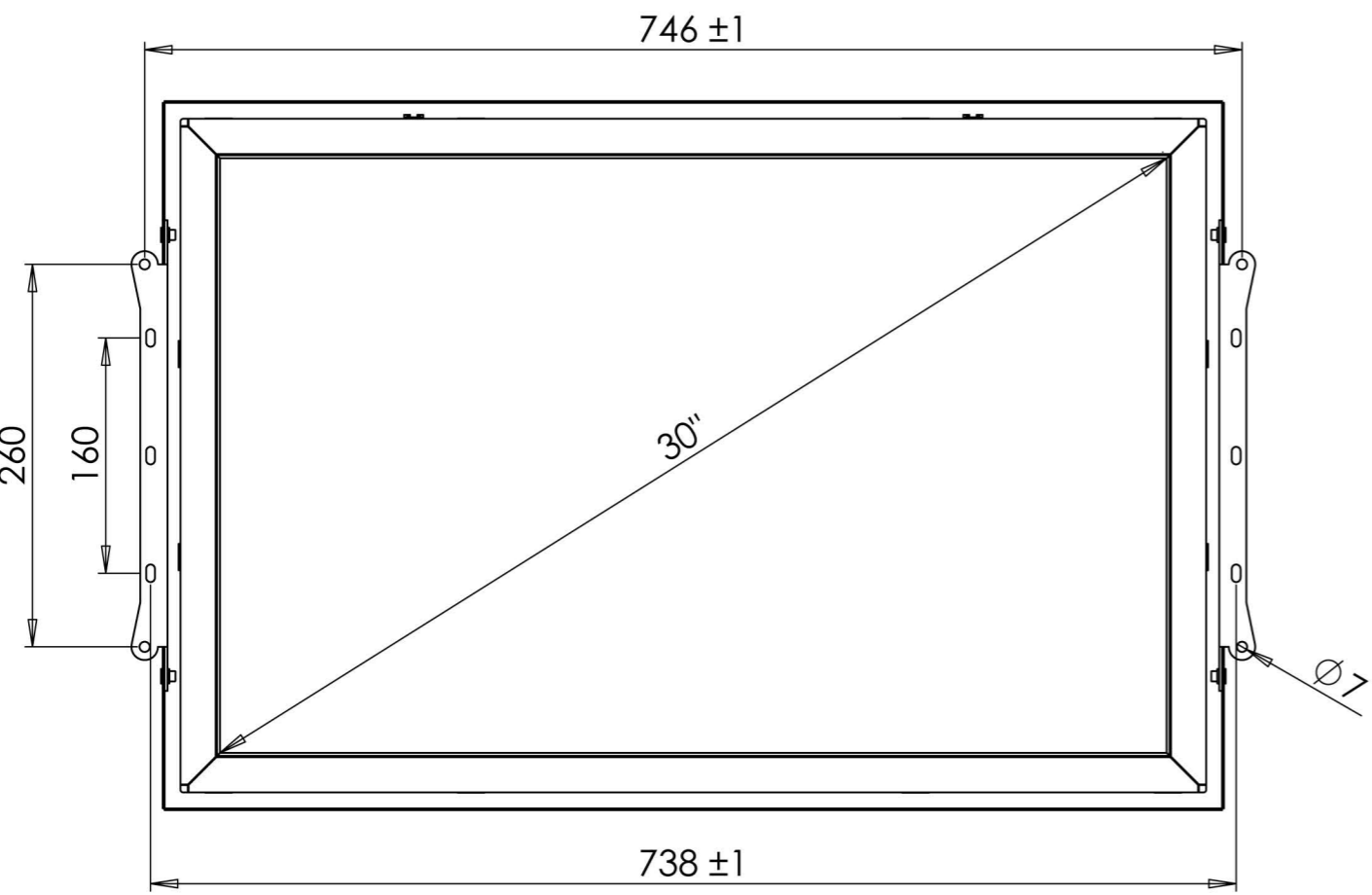
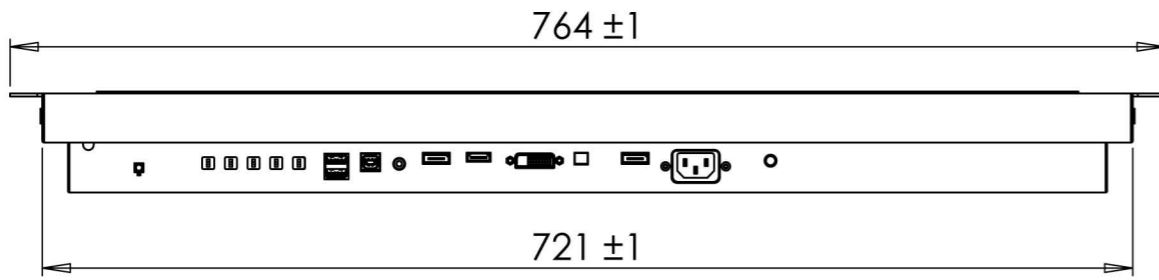


8 7 6 5 4 3 2 1



РАЗМЕР ВЫРЕЗА

* - РАЗМЕРЫ ДЛЯ СПРАВОК

PROPRIETARY AND CONFIDENTIAL
 THE INFORMATION CONTAINED IN THIS DRAWING IS THE SOLE PROPERTY OF DIALECTICA, JSC. ANY REPRODUCTION IN PART OR AS A WHOLE WITHOUT THE WRITTEN PERMISSION OF DIALECTICA, JSC IS PROHIBITED.

| | | | | | | | |
|-------------|---------|---|--|--|------|---------------------------------|--|
| | | UNLESS OTHERWISE SPECIFIED: | | NAME | DATE | ЗАО "Диалектика" | |
| | | DIMENSIONS ARE IN mm TOLERANCES: ± 0.50 mm FRACTIONAL ± ANGULAR: MACH ± BEND ± TWO PLACE DECIMAL ± THREE PLACE DECIMAL ± | | DRAWN | | TITLE: iT3000 Open Frame | |
| | | INTERPRET GEOMETRIC TOLERANCING PER: | | CHECKED | | SIZE DWG. NO. REV | |
| | | MATERIAL | | ENG APPR. | | B | |
| NEXT ASSY | USED ON | FINISH | | MFG APPR. | | 03 | |
| APPLICATION | | DO NOT SCALE DRAWING | | Q.A. | | SCALE: 1:5 WEIGHT: SHEET 1 OF 1 | |
| | | | | COMMENTS: 30.0" Built-In Touch Monitor Open Frame | | | |