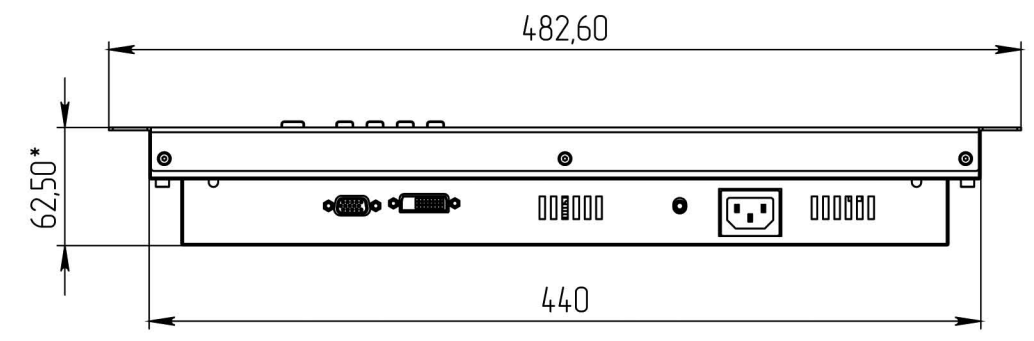


8 7 6 5 4 3 2 1

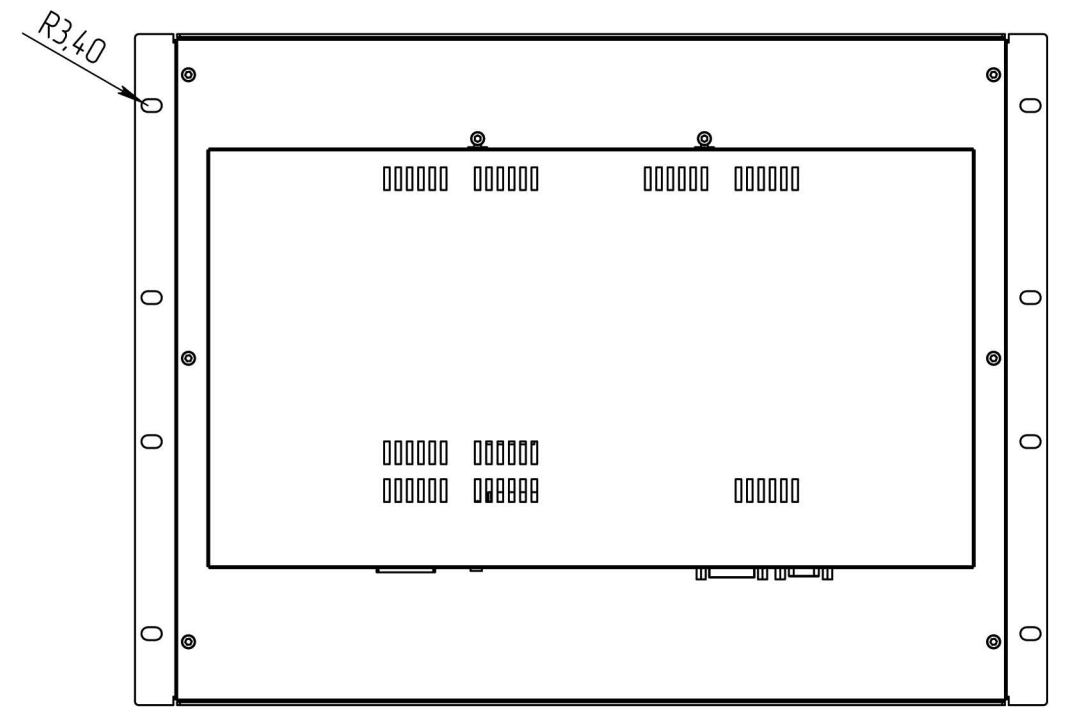
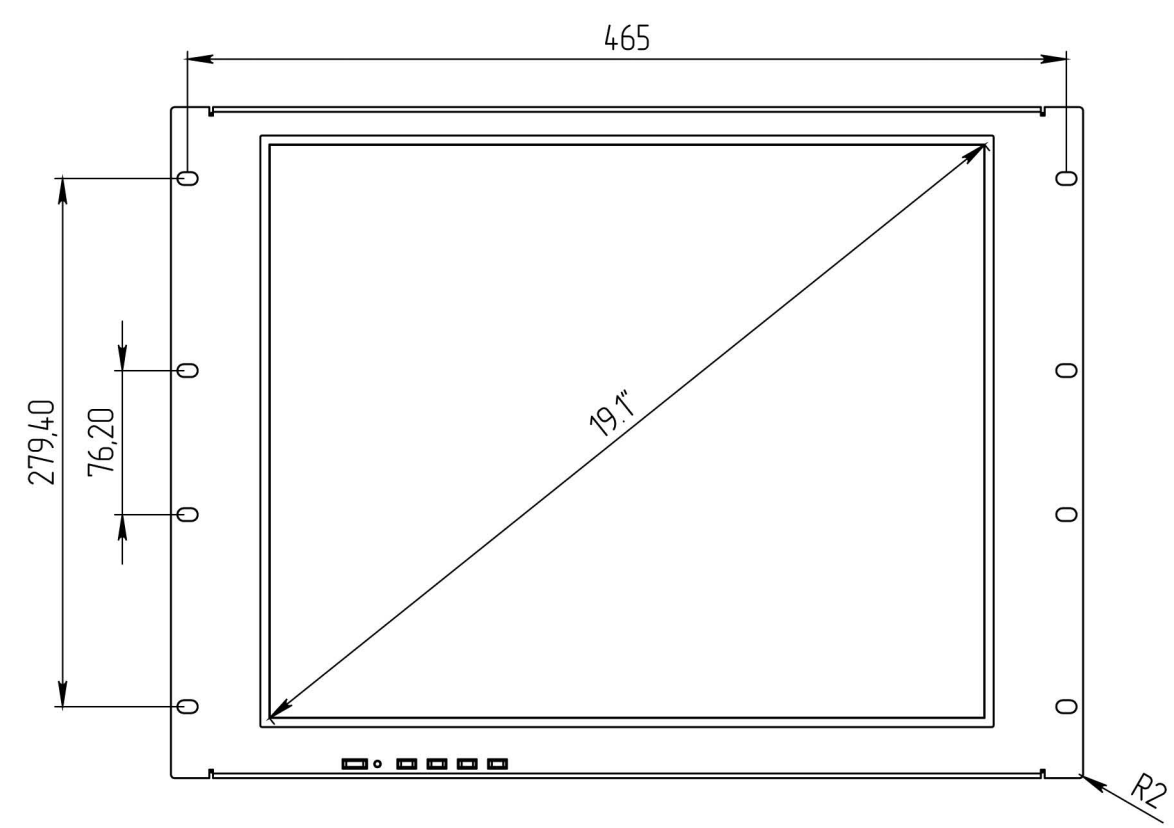
D

D



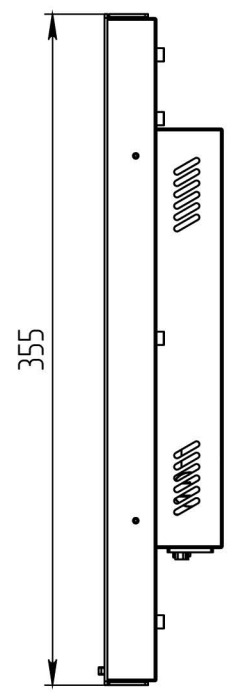
C

C



B

B



A

A

* РАЗМЕРЫ ДЛЯ СПРАВОК

PROPRIETARY AND CONFIDENTIAL
 THE INFORMATION CONTAINED IN THIS DRAWING IS THE SOLE PROPERTY OF DIALECTICA, JSC. ANY REPRODUCTION IN PART OR AS A WHOLE WITHOUT THE WRITTEN PERMISSION OF DIALECTICA, JSC IS PROHIBITED.

		UNLESS OTHERWISE SPECIFIED:		NAME	DATE	ЗАО "Диалектика"	
		DIMENSIONS ARE IN mm TOLERANCES: ± 0.50 mm FRACTIONAL ± ANGULAR: MACH ± BEND ± TWO PLACE DECIMAL ± THREE PLACE DECIMAL ±		DRAWN	04.09.2017	TITLE:	
		INTERPRET GEOMETRIC TOLERANCING PER:		CHECKED		iT1910	
		MATERIAL		ENG APPR.		Rack Mount	
NEXT ASSY	USED ON	FINISH		MFG APPR.		SIZE	DWG. NO.
APPLICATION		DO NOT SCALE DRAWING		Q.A.		B	REV
				COMMENTS:			03
				19.1" Touch Monitor 8U 19" RACK MOUNT		SCALE: 1:4	WEIGHT:
						SHEET 1 OF 1	

8 7 6 5 4 3 2 1